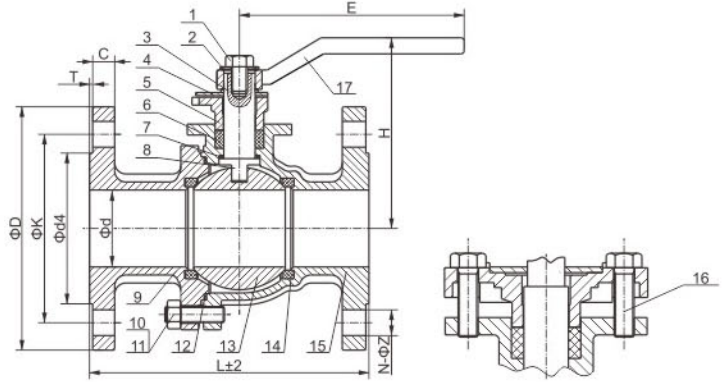


# C237

## 二片式美标低平台法兰球阀 150LB

ANSI 2PC Low Platform Flange Ball Valve 150LB



### 技术要求 TECHNICAL REQUIREMENTS

- 设计和制造符合ASME B16.34
- 测试和检查符合API 598
- 面对面尺寸符合ASME B16.10
- 法兰尺寸符合ASME B16.5
- 防火设计符合API 607
- Design & manufacture conform to ASME B16.34
- Test & Inspect conform to API 598
- Face to Face dimension conforms to ASME B16.10
- Flange dimension conforms to ASME B16.5
- Fire protection design conforms to API 607

### 主要技术参数 MAIN TECHNICAL PARAMETER

公称压力 NOMINAL PRESSURE		CL150	
试验压力 Test Pressure	壳体 Shell	3.0	MPa
	高压密封 High-Pressure Closure	2.2	
	低压密封 Low-Pressure Closure	0.4-0.7	
适用温度 Applicable Temperature		-29~120°C	
适用介质: 水、油、气 Applicable medium: water, oil, gas			

### 主要零件材料 MAIN PARTS AND MATERIALS

序号 NO.	零件名称 PART NAME	材料 MATERIAL
1	外六角螺栓 Hex Bolts	10B33+Zn
2	垫圈 Washer	Q235+Zn
3	轴用弹性挡圈 Circlips	304
4	定位片 Orientation Patch	304
5	压盖 Gland	304
6	填料 Packing	PTFE
7	止推垫片 Thrust Gasket	PTFE
8	阀杆 Stem	304/316
9	阀盖 Bonnet	WCB/CF8/CF8M
10	螺母 Nut	304
11	双头螺柱 Bolt	304
12	垫片 Gasket	PTFE
13	球体 Ball	304
14	阀座 Seat	RPTFE
15	阀体 Body	WCB/CF8/CF8M
16	外六角螺栓 Hex Bolts	304
17	手柄 Handle	ADC12

### 结构尺寸 CONFIGURATION DIMENSION

单位Unit: mm

SIZE	d	L	C	T	D	K	d4	N-ΦZ
1/2"	15	108	9.7	2	90	60.3	34.9	4-16
3/4"	20	117	10.2	2	100	69.9	42.9	4-16
1"	25	127	10.7	2	110	79.4	50.8	4-16
1 1/4"	32	140	11.2	2	115	88.9	63.5	4-16
1 1/2"	40	165	12.7	2	125	98.4	73	4-16
2"	50	178	14.3	2	150	120.7	92.1	4-19
2 1/2"	65	190	15.9	2	180	139.7	104.8	4-19
3"	76	203	17.5	2	190	152.4	127	4-19
4"	100	229	22.3	2	230	190.5	157.2	8-19
6"	150	394	23.9	2	280	241.5	215.9	8-22