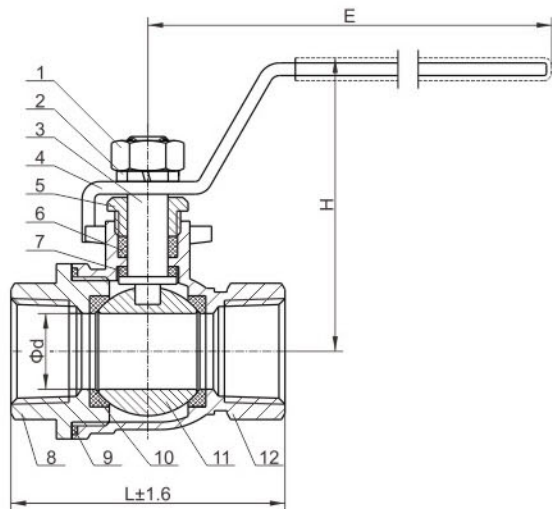


# C238

## 二片式螺纹球阀 10K-20K

2PC Thread Ball Valve 10K-20K



### 主要技术参数 MAIN TECHNICAL PARAMETER

| 公称压力<br>NOMINAL PRESSURE    |                               | 10K-20K   |     |
|-----------------------------|-------------------------------|-----------|-----|
| 试验压力<br>Test Pressure       | 壳体 Shell                      | 3.0       | MPa |
|                             | 高压密封<br>High-Pressure Closure | 2.2       |     |
|                             | 低压密封<br>Low-Pressure Closure  | 0.4-0.7   |     |
| 适用温度 Applicable Temperature |                               | -29~120°C |     |

适用介质: 水、油、气 Applicable medium: water, oil, gas

### 主要零件材料 MAIN PARTS AND MATERIALS

| 序号 NO. | 零件名称 PART NAME     | 材料 MATERIAL |
|--------|--------------------|-------------|
| 1      | 螺母 Nut             | SS304       |
| 2      | 弹簧垫圈 Spring Washer | SS304       |
| 3      | 阀杆 Stem            | SS304/SS316 |
| 4      | 手柄 Handle          | SS201+PVC   |
| 5      | 压盖 Gland Nut       | SS304       |
| 6      | 填料 Packing         | PTFE        |
| 7      | 止推垫片 Thrust Gasket | PTFE        |
| 8      | 阀盖 Bonnet          | SCS13/SCS14 |
| 9      | 垫片 Gasket          | PTFE        |
| 10     | 阀座 Seat            | PTFE        |
| 11     | 球体 Ball            | SS304/SS316 |
| 12     | 阀体 Body            | SCS13/SCS14 |

### 结构尺寸 CONFIGURATION DIMENSION

单位 Unit: mm

| SIZE   | d  | L   | H  | E   |
|--------|----|-----|----|-----|
| 1/4"   | 8  | 48  | 50 | 90  |
| 3/8"   | 10 | 48  | 50 | 90  |
| 1/2"   | 15 | 54  | 55 | 95  |
| 3/4"   | 20 | 64  | 60 | 105 |
| 1"     | 25 | 75  | 65 | 120 |
| 1 1/4" | 32 | 87  | 70 | 120 |
| 1 1/2" | 38 | 94  | 85 | 145 |
| 2"     | 49 | 113 | 95 | 165 |